

Area of Application:
 Table
 Water
 Min. Working pressure 1 Bar
 Max. working pressure 10 bar
 Min. temperature 5°C
 Max. temperature 80°C

Details:
 Check Valve
 Flowfix 7 L/min

45° Cup

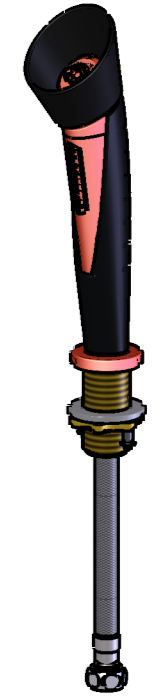
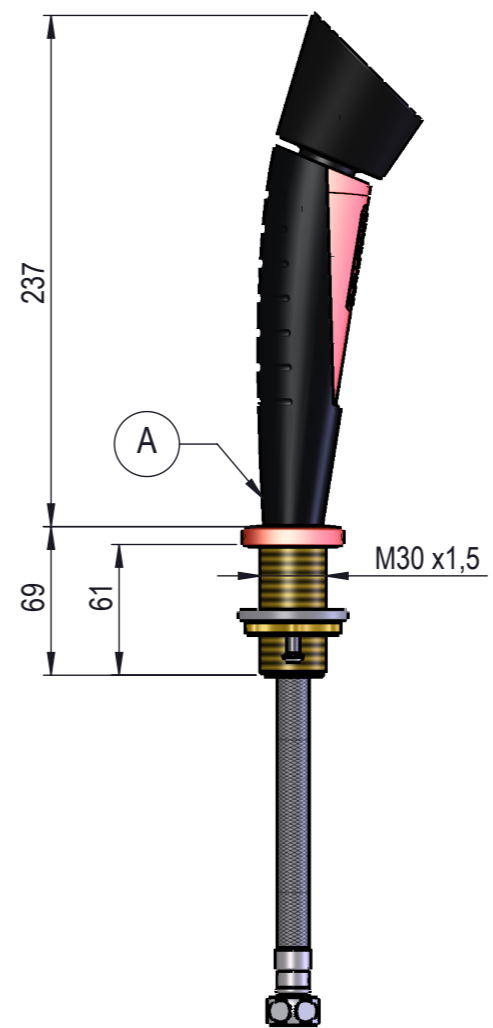
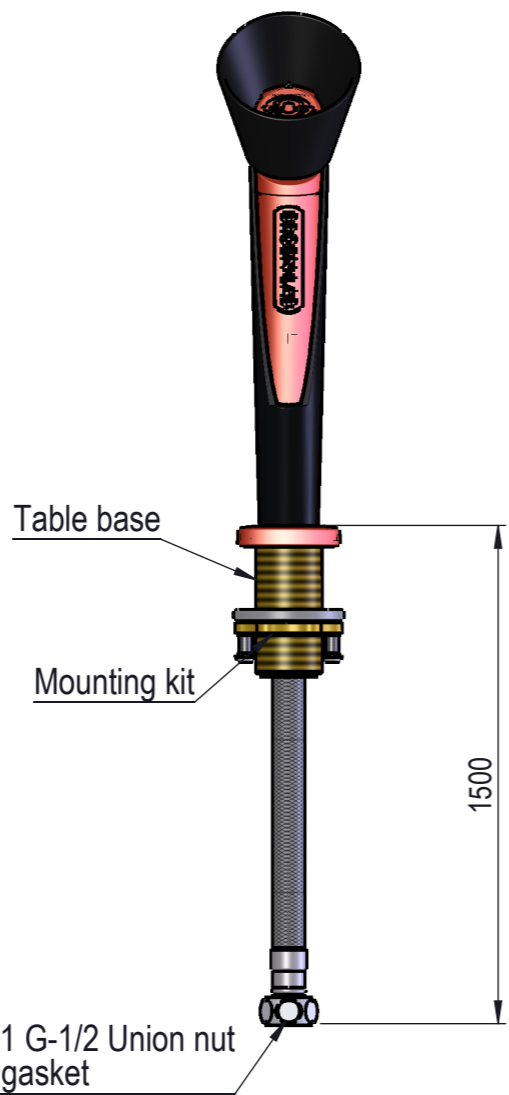
Materials in media contact:

- PA
- SS, AISI 316
- Rubber, EPDM
- POM
- TPE

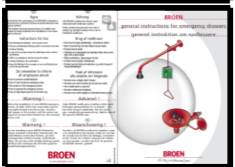
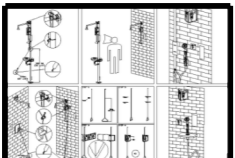
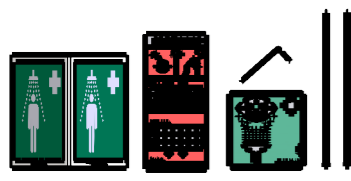
Materials not in media contact: PP, PA, SEBS

Mounting:
 M30x1,5mm

Inlet / outlet connection:
 Union Nut G1/2"
 Easy to Clean Spray Head(s)



17001970
 Signs - instructions



NOTE A: EN Label 94G0122

Description: BROEN-LAB Emerg. Handheld Eye Shower, Table, ., 45° Cup, .						Media: Water
						Comments:
Drawing type: Customer drawing					Weight: 0.385 Kg	
Rev.	Pos.	Date	TM No.	Design by	Drawn by:	Change:
					JAK	BJP
						Released on TM No.
						Date (DD-MM-YY): 22-06-18
BROEN-LAB						Format: A3
This drawing is our property and cannot be given to a third party, copied or otherwise used without our permission. BROEN-LAB A/S.						Drawing No.: 27100031005011